



KG Bytes

March 2019

From the Executive

2019 Conference

Registrations are now open for the 2019 Conference in Newcastle. There's a great line up of presentations, workshops and activities. For all the details, visit the Guild website: www.knittersguildnsw.org.au.

Bristol Ivy Workshops

Registrations are open for the workshops being held after Conference with Bristol Ivy. These are in various locations and all the information is on the Guild website.

Bristol-along

Have you cast on your 'Bristol' item for Conference? Bristol has so many designs I'm sure you'll be able to find something that's right for you. Don't forget to post your item to Ravelry or Instagram. If you're positing to Instagram, it would be great if you could tag it with: #knittersguildnsw, #bristolivyknitalong and #kgnswcon2019.

Items for KG Bytes

Please forward items to me at president@knittersguildnsw.org.au by the 7th of the month.

Group Meetings

Blacktown, 13th April

At this meeting we will be learning to do Continental Stitch, knit and purl (this was postponed from the March meeting).

Crochet Epping, 8th April

We will be working on crochet organiser dolls. Bring along several colours of 4ply cotton.

Crochet Turramurra, 3rd April

At this meeting we will be learning a beaded crochet edging and an interesting new stitch for a reversible scarf. It is a nice, fun and easy lesson with beads provided for the samples.

Epping, 1st April

At this meeting Brenda Horne will be a guest speaker talking about the different types of lace knitting (this was postponed from the March meeting).

Katoomba, 6th April

Our meeting time has changed. We are meeting at 11.30am, but still on the first Saturday of the month.

Ku-ring-gai, 29th April

The April meeting will be held on the fifth Monday due to Easter. Members will be ringing an item that is precious and sharing its story. The item may be something knitted, crocheted, embroidered, woven, sewn or crafted. It may have been made by the member, someone else in the family or has been given as a gift.

Maitland, 19th March

Even though it's Good Friday, we will still be meeting and sharing our patterns and progress on our tea cosies.

Mid North Coast, 23rd April

At this meeting we'll be starting our sock knitting tutorials.

Pittwater, 2nd April

At this meeting there will be a mini workshop on continental knitting.

Pittwater, 16th April

Tuition Tuesday will see us learning Yorkshire buttons with Pat McGregor.

Southern, 6th April

At this meeting Cristiane will run a workshop on German Short rows.



Workshops

An Introduction to Brioche

If you are interested in the Brioche workshop at Conference, but feel the need for a little refresher, then Maitland Group has you covered.

Maitland Group are hosting a Brioche Workshop on Friday, 12 April from 10am at the Easts Leisure and Golf Club, Tenambit Street, East Maitland. Cost is \$25 for members and payment is made on the day. To book your place or for more information contact Cynthia on 0418 230 498.

Group Events

Biggest Morning Tea

Once again, Epping and Epping Crochet are hosting a 'Biggest Morning Tea' on Monday, 20 May between 10am and 12.30pm at the Epping Creative Centre, 26 Stanley Rd, Epping. There will be great food and event a knitting competition. All the details are in the attached flyer.

Other Events

Sutherland Shire Spinners & Weavers 50th Anniversary

Sutherland Shire Spinners & Weavers Inc. invites you to join our celebration of 50 years in the fibre arts at our 50th Anniversary Exhibition being held as part of the Australian Heritage Festival. The diversity of the beautiful and creative work by Members past and present tell the story of five decades of Friendship in Fibre.

Venue: Como School of Arts, 15-17 Novara Cres, Como

When: Saturday 13 April and Sunday 14 April 2019

Time: 9.30am to 4pm

Getting there is easy – it is just around the corner from Como Railway Station.

SATURDAY SPECIAL: Hop on the Sydney Bus Museum's Heritage Bus – regular departures from Sutherland School of Arts (25 East Parade, Sutherland) to our venue and to other Heritage Festival venues.

Wrap With Love Knit-In

For 26 years Wrap With Love has given away over 450,000 hand knitted and crocheted blankets to people in need across the world.

Join other knitters and share your skills on 11th May 2019, 10am-3pm at Sydney Masonic Centre, 66 Goulburn St, for a "one day" knitting event. Short talks, demonstrations and giveaways will be part of the day. Morning and afternoon tea will be provided.

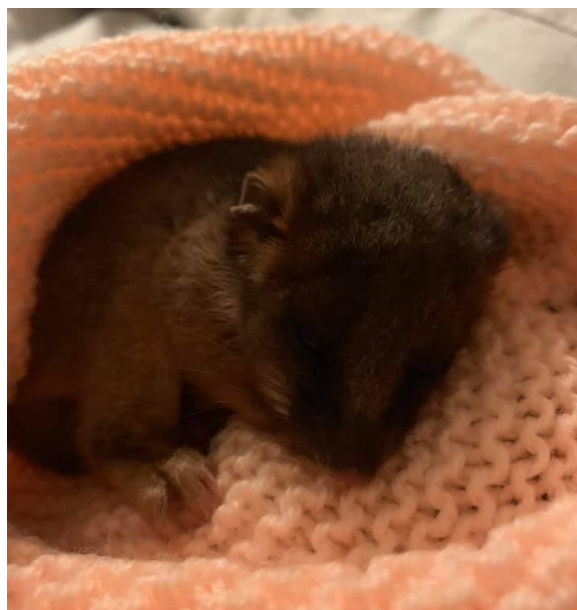
Be part of our wonderful history and spread the word to fellow knitters and followers to join over 200 volunteer knitting groups across Australia.

Visit us at www.wrapwithlove.org and avail our excellent programs highlighting many examples of our blankets.

Expression of interest to volunteer for this event or prepare an item for the event, please contact Diana Whitton 0419 680 279 or dianarwhitton@gmail.com.

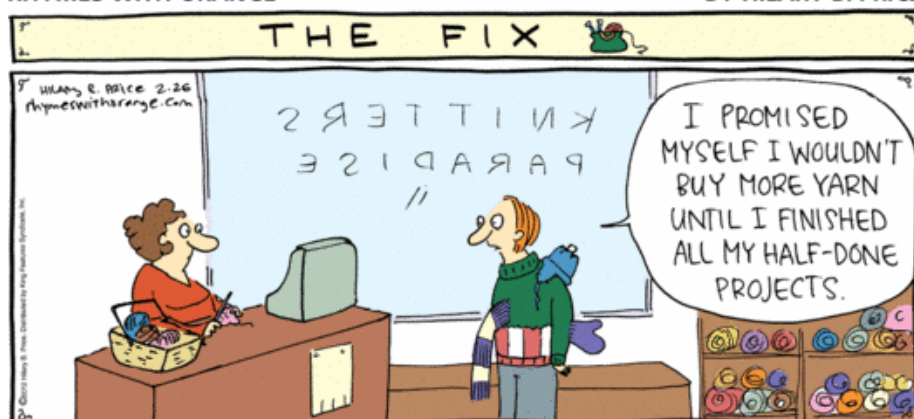
Call for Possum Pouches

Sydney Wildlife Carers are looking for possum pouches for baby possums. Pouches can be either knitted or crocheted, preferably with wool although acrylic is also acceptable. They can of any colour or design with the finished pouch being approximately 25cm x 18cm (10 x 7 inches). All the details are in the attached flyer.



RHYMES WITH ORANGE

BY HILARY B. PRICE



Knitters Guild Epping Group is hosting a Biggest Morning Tea



When & Where

10am to 12.30pm

Monday, 20th May 2019
Epping Creative Centre
26 Stanley Rd
Epping

Can you make a donation?

Donations of items for the use of or to pamper a knitter or crocheter will be put into 10 raffle prizes and some items will be auctioned. These donations are needed by Monday 6th May. Cash and cheque donations are accepted on the day.

Costs

\$10 adult entry donation (includes one entry in the knitting competition)

\$2 per extra entry in knitting competition

Raffle tickets \$2 each or 3 for \$5

There will be an auction of some items to raise extra funds.

All funds raised will go to



What to bring

Please assist us by bringing:

1. A cup, saucer and plate for yourself and your guests.
2. Items for the knitting contest.

Knitting Competition

1. Hats, beanies and headwear for adult cancer patients.
2. Any other item for adult cancer patient e.g. gloves, mittens, socks, scarves and wraps.
3. Hats beanies or headwear or other items for children with cancer.
4. Cosies for mugs, teapots, plungers, water bottles, iPads etc
5. Something made in the colour periwinkle blue.

Enquiries:

tgmoore@bigpond.net.au

We'll have a periwinkle blue colour scheme for stomach and oesophageal cancers.

Sydney Wildlife Carers

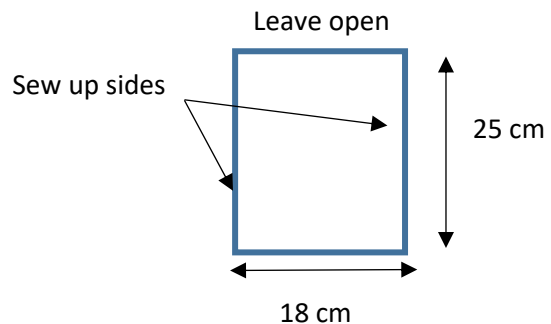
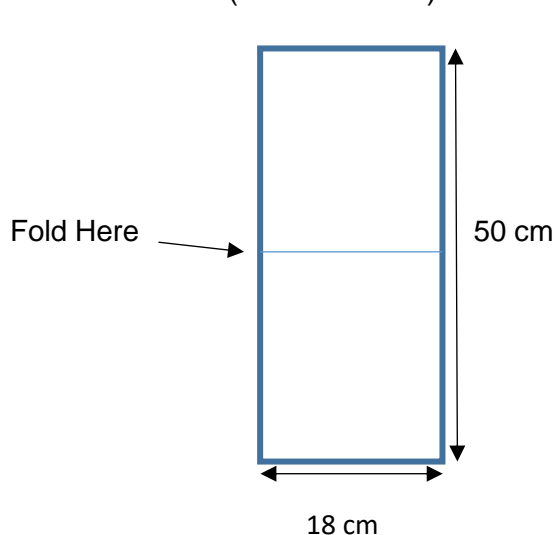
Possum Pouches

www.sydneywildlife.org.au



Can you help?

Sydney Wildlife Carers are looking for possum pouches for baby possums. Pouches can be either knitted or crocheted, preferably with wool although acrylic is also acceptable. They can be any colour or design with the finished pouch being approx. 25 cm x 18 cm (10 x 7 inches).



Finished pouches can be

1. Dropped off at Sydney Wildlife office, Lane Cove National Park, Lady Game Drive, 9 am – 5 pm.
2. Posted to Sydney Wildlife: PO Box 78, Lindfield NSW 2070, attention Donna Lee.
3. Phone 02 9413 4300 or email info@sydneywildlife.org.au for other options.